

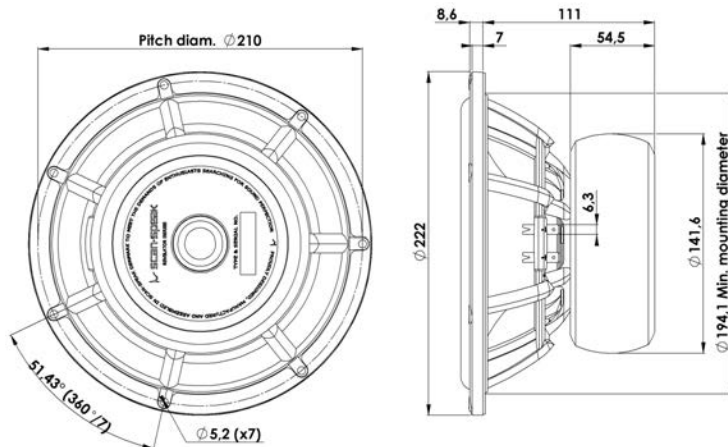


REVELATOR

WOOFER

22W/8857T00

The Revelator woofers and subwoofers features very rigid cones in paper or aluminium that operates as a piston over a wide frequency range, in combination with Scan-Speaks low-loss linear suspension and the patented Symmetrical Drive (SD-1) it results in very low distortion and a smooth and well behaved frequency response as well as perfect transient reproduction.



KEY FEATURES:

- Patented Symmetrical Drive Motor Design
- Low-Loss linear suspension
- Die cast Alu Chassis vented below spider
- Rigid Black Anodized Alu Cone
- Low Damping SBR Rubber Surround
- Ferrite Magnet System w. Rubber Boot

T-S Parameters

| | |
|-------------------------------|---------------------|
| Resonance frequency [fs] | 23 Hz |
| Mechanical Q factor [Qms] | 4.90 |
| Electrical Q factor [Qes] | 0.32 |
| Total Q factor [Qts] | 0.30 |
| Force factor [Bl] | 10.1 Tm |
| Mechanical resistance [Rms] | 1.09 kg/s |
| Moving mass [Mms] | 37 g |
| Suspension compliance [Cms] | 1.29 mm/N |
| Effective diaph. diameter [D] | 167 mm |
| Effective piston area [Sd] | 220 cm ² |
| Equivalent volume [Vas] | 87.7 l |
| Sensitivity (2.83V/1m) | 86 dB |
| Ratio Bl/√Re | 4.06 N/√W |
| Ratio fs/Qts | 77 Hz |

Notes:

IEC specs. refer to IEC 60268-5 third edition.
All Scan-Speak products are RoHS compliant.
Data are subject to change without notice.
Datasheet updated: May 5, 2011.

Electrical Data

| | |
|----------------------------|---------|
| Nominal impedance [Zn] | 8 Ω |
| Minimum impedance [Zmin] | 7.2 Ω |
| Maximum impedance [Zo] | 101 Ω |
| DC resistance [Re] | 6.2 Ω |
| Voice coil inductance [Le] | 0.35 mH |

Power Handling

| | |
|--------------------------------|-------|
| 100h RMS noise test (IEC 17.1) | 170 W |
| Long-term max power (IEC 17.3) | - W |

Voice Coil and Magnet Data

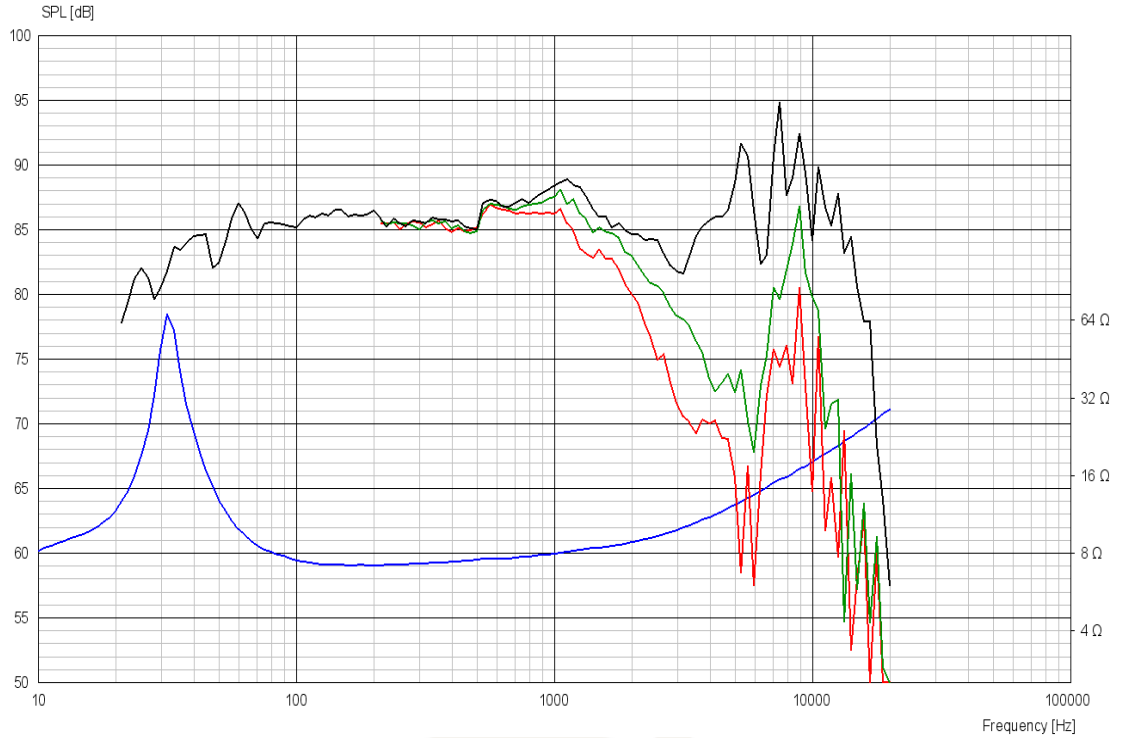
| | |
|---------------------|---------|
| Voice coil diameter | 50 mm |
| Voice coil height | 24 mm |
| Voice coil layers | 2 |
| Height of gap | 6 mm |
| Linear excursion | ± 9 mm |
| Max mech. excursion | ± 14 mm |
| Unit weight | 3.6 kg |



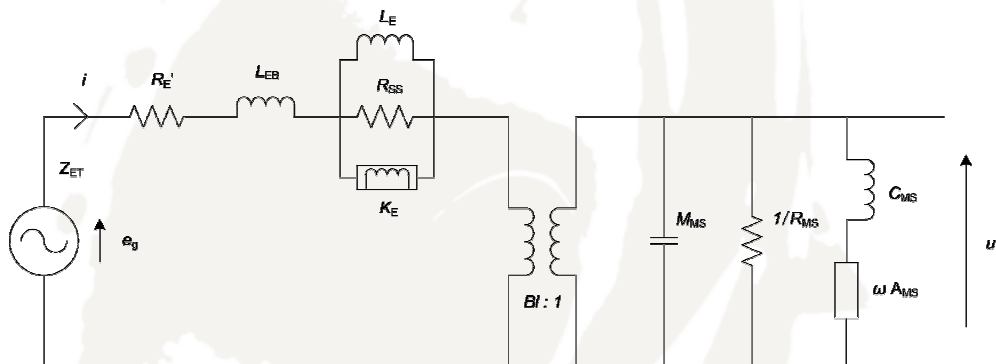
REVELATOR

WOOFER

22W/8857T00



Advanced Parameters (Preliminary)



Electrical data

| | |
|-------------------------------------|-----------|
| Resistance [Re'] | 6.33 Ω |
| Free inductance [L _b] | 0.142 mH |
| Bound inductance [L _e] | 4.37 mH |
| Semi-inductance [K _e] | 0.0290 SH |
| Shunt resistance [R _{ss}] | 3000 Ω |

Mechanical Data

| | |
|--|------------|
| Force Factor [BI] | 8.57 Tm |
| Moving mass [M _{ms}] | 36.3 g |
| Compliance [C _{ms}] | 1.037 mm/N |
| Mechanical resistance [R _{ms}] | 0.362 kg/s |
| Admittance [A _{ms}] | 0.136 mm/N |

SCANSPEAK